

## Sink Skin 400 Gun Metal Undermount

Kitchen Sinks

Code: 4456 846



### DETAILS

Texture Foster brushed

---

Edge/Installation Type Undermount

---

Finish PVD

---

Material AISI 304 stainless steel

---

Coloring Gun Metal

---

Base 45 cm

---

Dimensions 440x440 mm

---

Standard fittings Fixing hooks, gasket, drain, overflow and siphon, boxed packing

---

Mixer holes No standard holes

---

Built-in hole [View technical data sheet](#)

---

Drainer No

---

Width 44 cm

---

Bowl dimension 400x400mm

---

Number of bowls 1 bowl

---

Waste fitting Drain SPACE 3,5"

---

Notes: As the product consists of a single seamless steel surface with no gaps or interstices, the use of garbage disposal and waste fitting with automatic control is not permitted.

---

## FEATURES

**Gun Metal** The Gun Metal finish is obtained by treating steel with a physical process called PVD (Physical Vacuum Deposition) which deposits particles of noble metals on the surface. The result is a unique and refined aesthetic effect, and an improvement of the mechanical properties of the steel which is more resistant to impact and scratches.

---

**ONE SEAMLESS STEEL SURFACE** The waste-fitting and overflow are moulded on the sink. The product is therefore made out of one seamless steel surface, without gaps or interstices. A great plus in terms of hygiene.

---

**Perimetral overflow** The overflow is always a security on the Foster sinks that prevents the overflow of water in case of oversights. The perimeter drain solution improves aesthetics thanks to its square and essential shape.

---

**Small radius** Bowls with squared shapes with a modern design and an increased capacity, for a minimal aesthetics connected with an extreme practicality.

---

**Deep bowls** This bowls reach an important depth, over 20 cm, thanks to the advanced production technology, that can be offer great capieny and practicality in all the washing operations.

---

## High thickness

1mm thick steel. A significant thickness, which guarantees the maximum sturdiness and durability.

---

## Space waste fitting

The elegant SPACE steel cap closes the drain and leaves no visible residues collected in the basket below. Space also has a small footprint and allows the optimal use of the under-sink compartment.

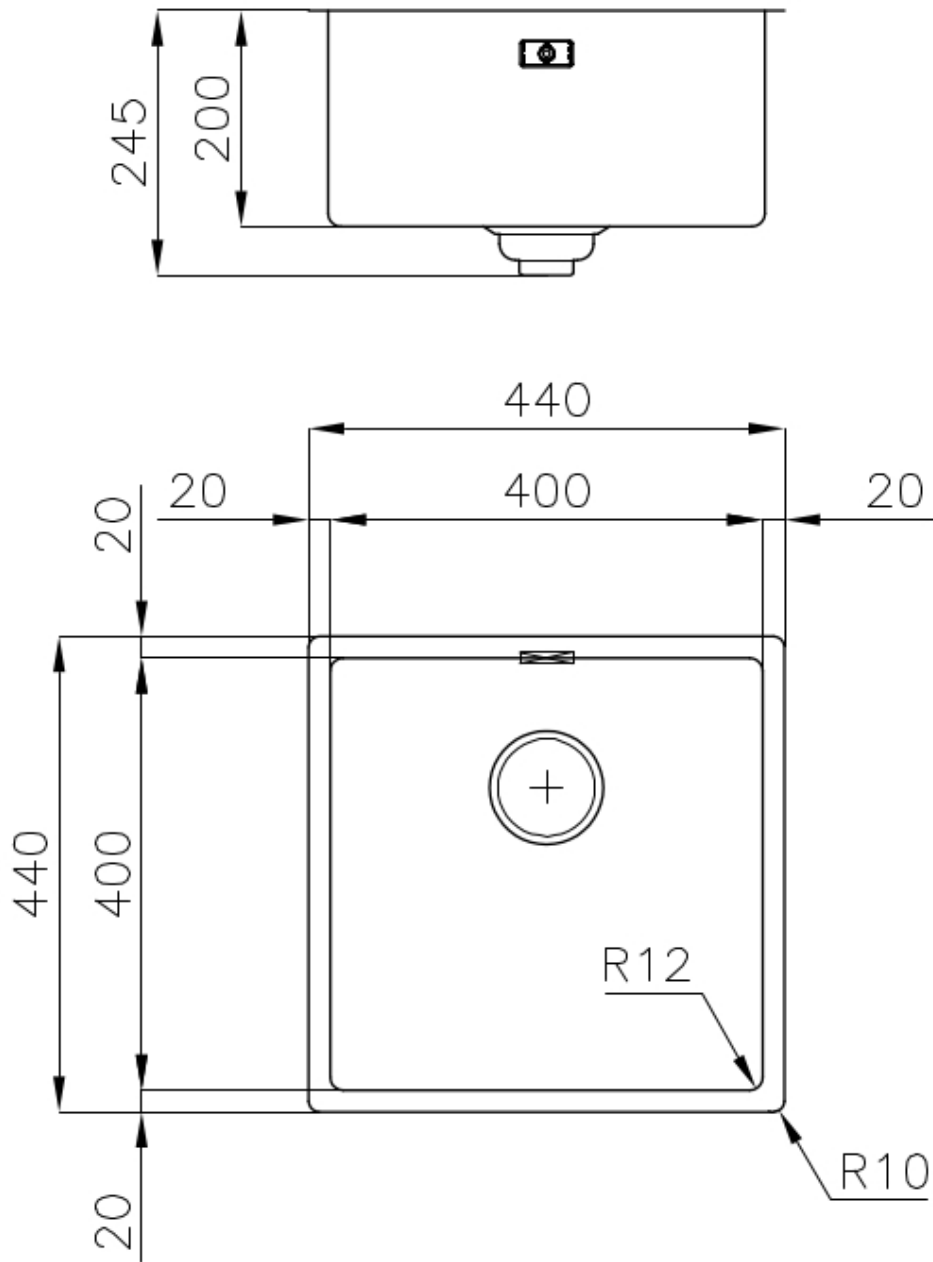
---

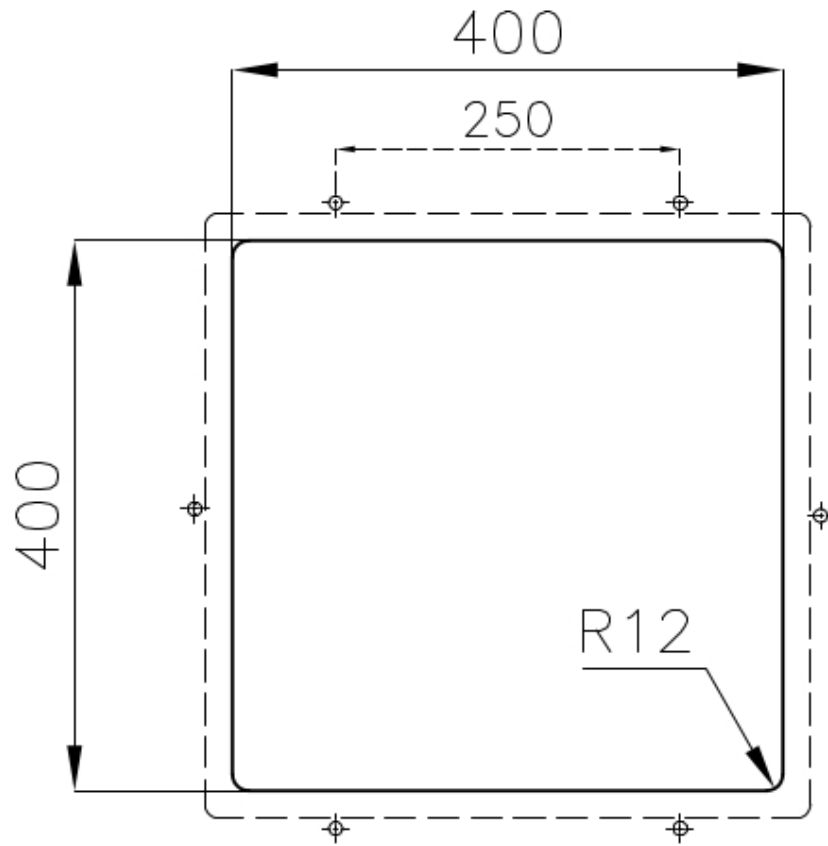
## Save space system

Drain and siphon are designed to leave as much space as possible in the under-sink area, more and more useful today for theseparate waste collection systems.

---

## TECHNICAL DATA





## GALLERY



## OPTIONAL ACCESSORIES



**Glass chopping board**  
8631 300



**HPDE Twin chopping board**  
8644 101



**Iroko-wood sliding chopping board  
with stainless steel colander**  
8644 044



**Stainless steel colander**  
8154 000



**White bowl**  
8153 100



**Stainless steel plate rack**  
8100 154



**Graters kit with ring-holder and food collection tray**

8159 101

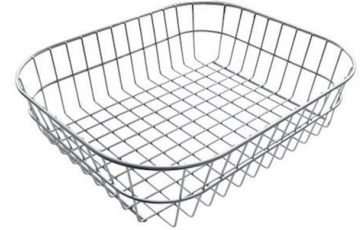
\* only in combination with the accessory  
8644 101



**Stainless steel perforated tray**

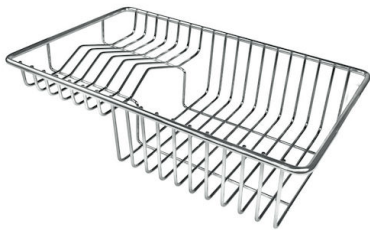
8151 000

\* only in combination with the accessory  
8644 101



**Stainless steel basket**

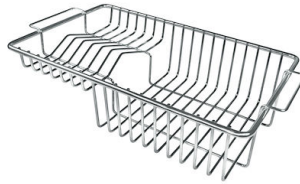
8611 000



**Stainless steel plate rack**

8100 303

\* only in combination with the accessory  
8644 101



**Stainless steel plate rack**

8100 201

## RECOMMENDED PAIRINGS



**Mixer Tap Omega Matt Black**

8497 606



**Mixer Tap Omega Plus Matt Black**

8498 626



**Mixer Tap Skin Gun Metal**

8424 856



**VELA PLUS GUN METAL satin**

8498 126